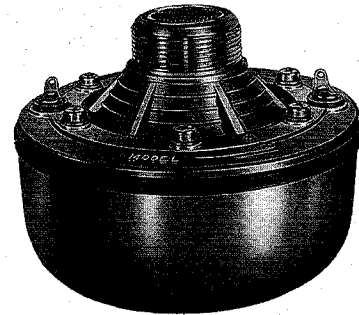




ELECTRONIC SIREN DRIVER

- * CLASSICAL EFFICIENCY SIREN DRIVER
- * HEAVY DUTY CONSTRUCTION
- * MAXIMUM SOUND PENETRATION
- * FULLY WEATHER PROOF
- * EXTEND USER-LIFE BY SELF-ALIGNED, FIELD REPLACEABLE DIAPHRAGM KIT



MODEL: S-60S

S-60S

SPECIFICATIONS:

POWER RATING : 60 Watts, RMS

IMPEDANCE : 11 Ohms (DC resistance approx. 4.2 ohms). Custom impedances available on special quantity order.

SENSITIVITY : 109 dB (Measured at 1 meter on axis, with 1 watt, 1000 Hz signal and 20" diameter reflex horn).

125 dB (Measured at 1 meter on axis, with 60 watts, 1000 Hz signal and 20" diameter reflex horn).

FREQUENCY : 375 - 8000 Hz (-20dB, matched with 20" reflex horn, frequency range varies with sound path length and horn cut-off).

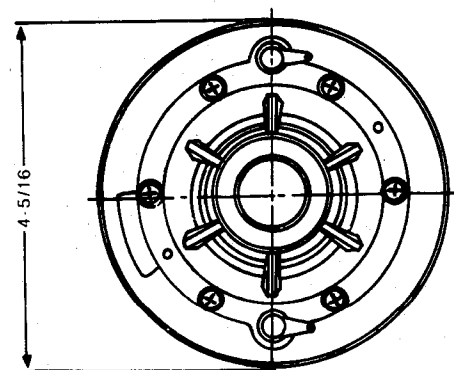
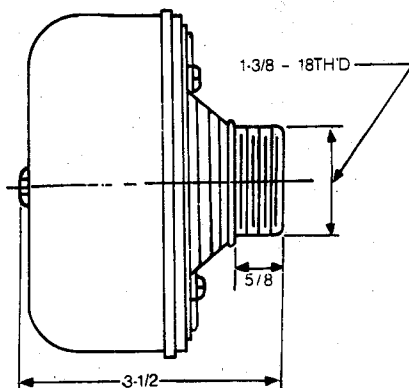
HORN COUPLING: 1-3/8" - 18 male thread

TERMINAL : Solder lugs

FINISH : Baked gray enamel

DIMENSION : 4-5/16" Dia. x 3-1/2" Deep (110 m/m Dia. x 90 m/m Deep)

SHIPPING WEIGHT : 5.1 LBS. (2.3 Kgs. approx.)



Specifications and models subject to change without notice.

SAN MING ELECTRONIC SOUND EQUIPMENT CO., LTD.

Form:1M04H 1700

17921 Lyons Circle, Huntington Beach, CA 92647 • (714) 842-9969 • Fax (714) 842-9571

ARCHITECTS AND ENGINEER'S SPECIFICATIONS

Public Address Loudspeaker shall be Sanming (S-60S) driver or approved equal. Speaker assembly shall have a full power range of 60 watts RMS. Frequency response range shall be between 375 Hz and 8000 Hz. Sound pressure output shall be 125dB. Driver shall be fully-weather resistance and capable of indoor/outdoor applications. Driver shall have male universal horn coupling 1-3/8" - 18. Driver shall have rear mounts in addition to the front horn coupling mount.

S-60S DRIVER

